

## ADDENDUM #2

**Date:** November 27, 2018  
**Project No.** 17205  
**Project Name:** Access Drive and Trailhead (Pigeon Forge, Tennessee)

This addendum supersedes and supplements all portions of the bidding documents and becomes part of the Contract Documents for the above-referenced project.

Failure to acknowledge this addendum in the Bid Form may result in the Bid being deemed non-responsive.

Where any original item is amended, voided, or superseded hereby, the provision of such item not so specifically amended, voided, or superseded shall remain in effect.

---

### QUESTIONS:

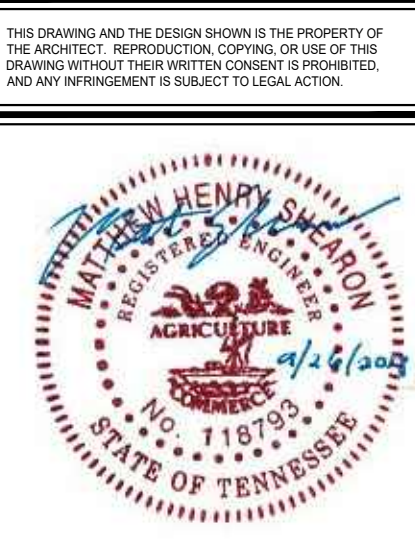
1. While we were processing the plans for the project above, we noticed that the following sheets were missing according to the cover sheet: C2.91 – EPSC details / C4.02 – Site Details. Were they left out intentionally?

### CLARIFICATIONS:

1. Sheets C2.91 and C4.04 were not included intentionally in the re-bid set due to the reduced area and scope of the project.
2. Detail 2, Sheet C4.01 has been updated to provide additional information on the materials used for the site signage. (See Attachment).
3. **Bid Date Extension:** Due to late questions submitted, the bid opening date has been extended to 2pm December 13, 2018.

NOTE: Receipt of this Addendum must be acknowledged on the Bid Form.

END OF ADDENDUM



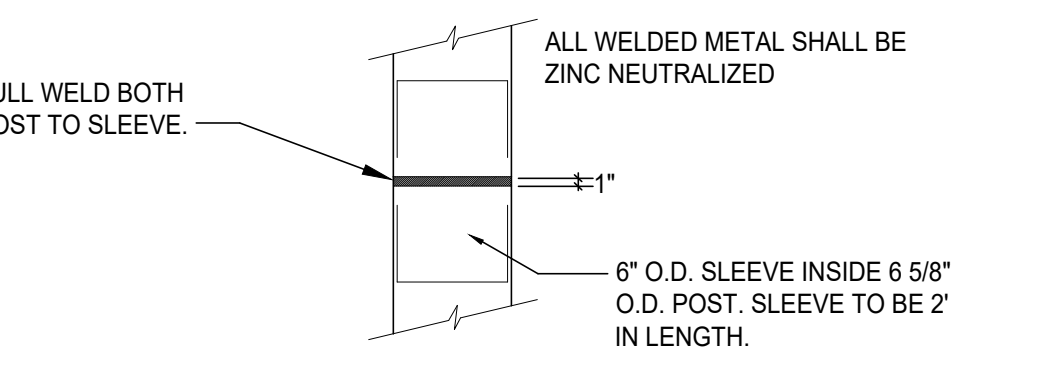
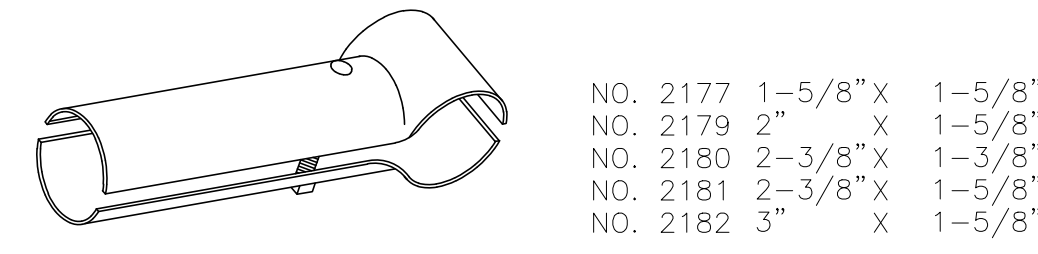
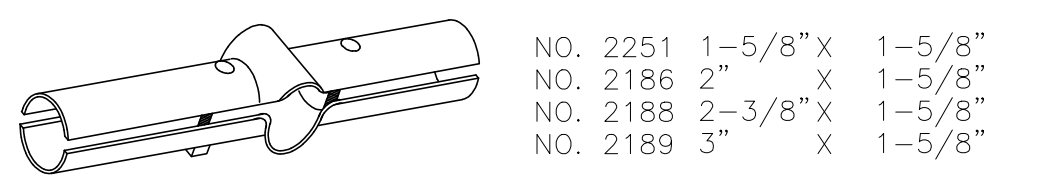
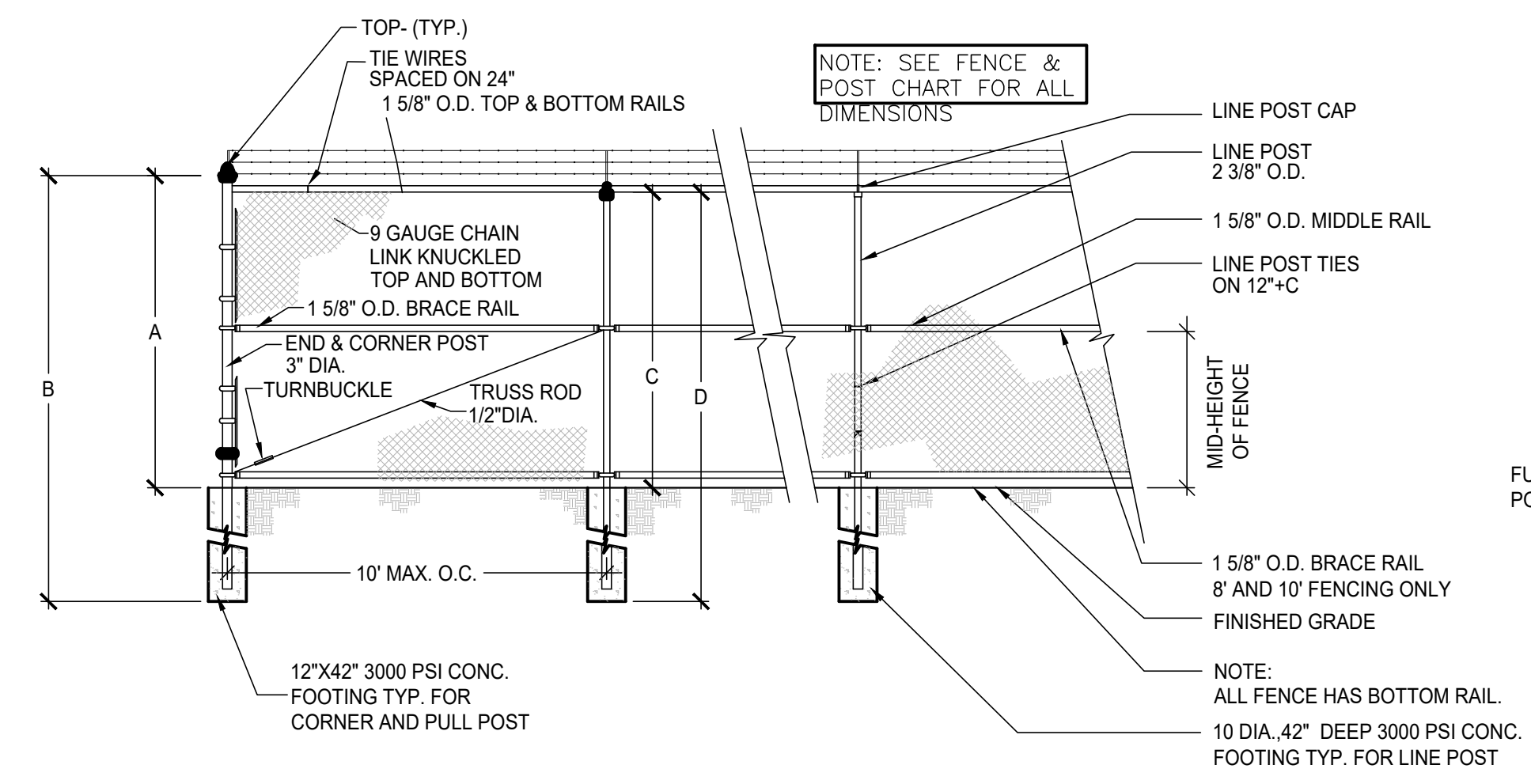
SUBMITTALS / REVISIONS	
NO.	DESCRIPTION

SHEET TITLE  
**SITE DETAILS**

PROJECT NO. 17205	DATE 05/09/2018
DRAWN BY CB	SCALE NTS
CHECKED BY MS	
SHEET NO.	

**C4.01**

FENCE HEIGHT	CORNER & END POST		LINE POST	
	A	B	C	D
6'-0"	6'-0 5/8"	9'-1"	5'-8 7/8"	8'-8"

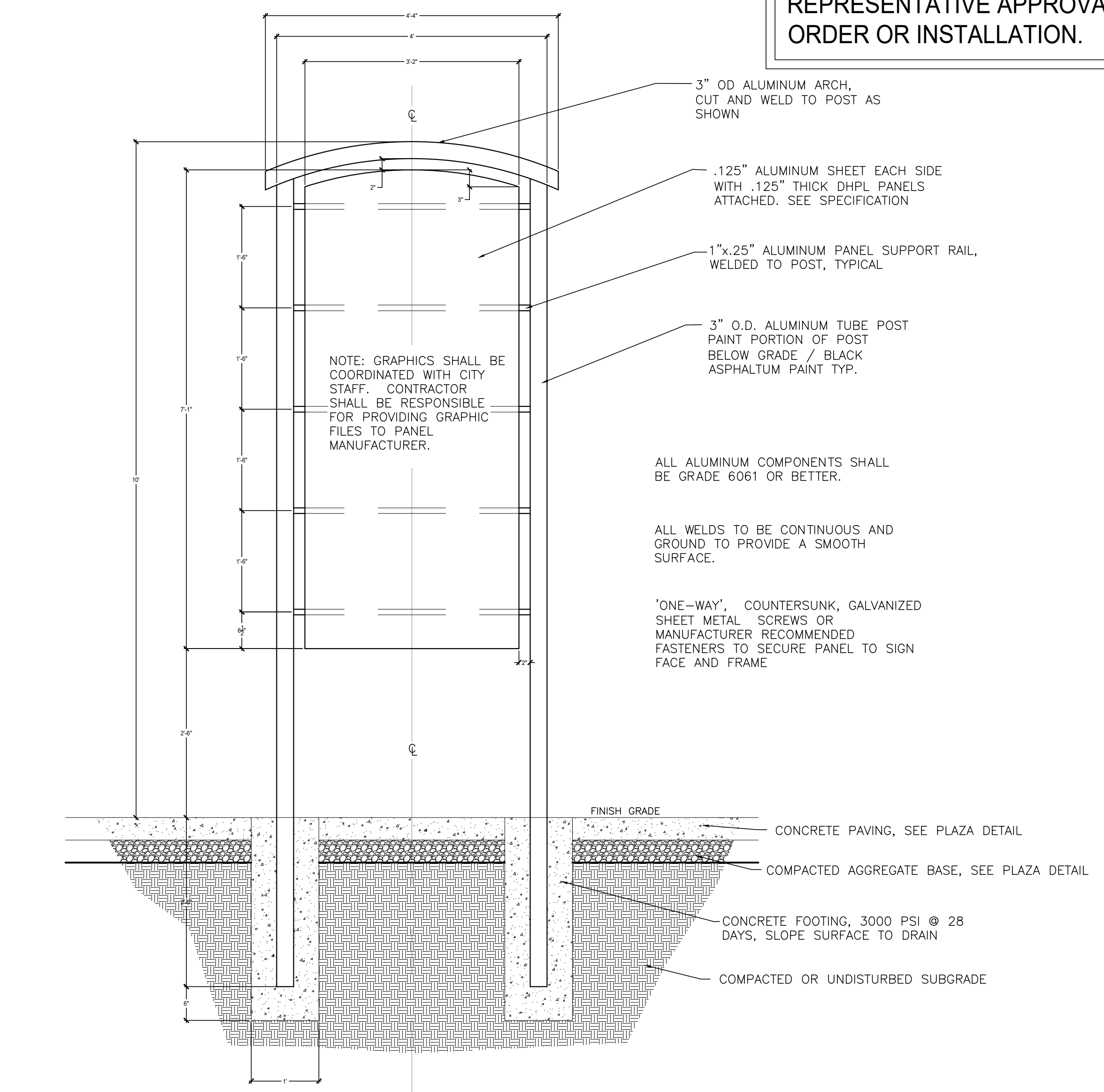


- NOTES:**
- ALL TERMINAL AND LINE POST 20'-0" OR TALLER SHALL BE 4" DIA. SCH. 40 STEEL UNLESS OTHERWISE NOTED
  - ALL RAILS SHALL BE 1-5/8"x1/4" ROLL FORMED STEEL OR EQUAL C TYPE RAIL POST.
  - ALL POSTS SHALL BE EQUIPPED WITH EITHER LINE POST CAPS OR STANDARD CAPS TO KEEP MOISTURE OUT OF POST.
  - ALL FENCING SHALL BE TWIST TOP AND BOTTOM.
  - SEE FENCING CHARTS FOR CORNER POST AND LINE POST REQUIREMENTS.
  - CHANGES IN REQUIRED PLANS DUE TO SITE CONDITIONS SHALL BE BROUGHT TO THE ATTENTION OF THE OWNER'S REPRESENTATIVE FOR APPROVAL.
  - SOFT STEEL TIES, (9 GAUGE STEEL TO MATCH FENCE FABRIC COATING)
  - MID-RAIL ON FENCING 6' AND OVER.
  - FENCING HT.: 4' AND UNDER: 1 BAND PER FOOT; FENCING HT.: 5' AND ABOVE: 1 BAND LESS THAN HT. OF FENCE.
  - BARBED WIRE TO BE DOUBLE STRAND, 12.5 GA. 4 POINTS, SPACED AT 5" MAX. PROVIDE VERTICAL FENCE POST EXTENSIONS FOR ATTACHMENT. SUBMIT SHOP DRAWINGS FOR REVIEW. SEE BELOW FOR FINISH REQUIREMENTS.
  - CONTRACTOR TO CONFIRM AND MATCH EXISTING.

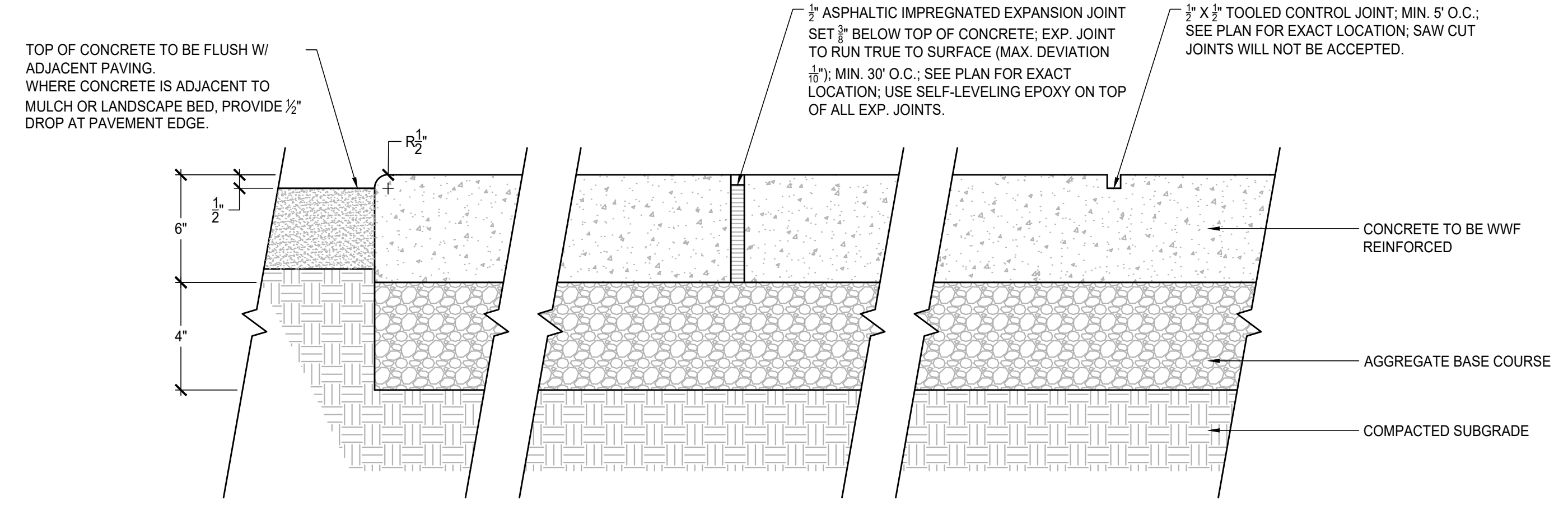
NOTE: ALL FENCE FABRIC, POSTS, RAILS, HARDWARE, ETC. TO BE FUSION BONDED PVC, COLOR: BLACK. NOTE WIRE GAUGE SPECIFICATIONS REFER TO CORE WIRE SIZE ONLY (NOT CORE WIRE PLUS FINISH COATING)

**1 CHAIN LINK FENCE DETAILS**  
SCALE: NTS

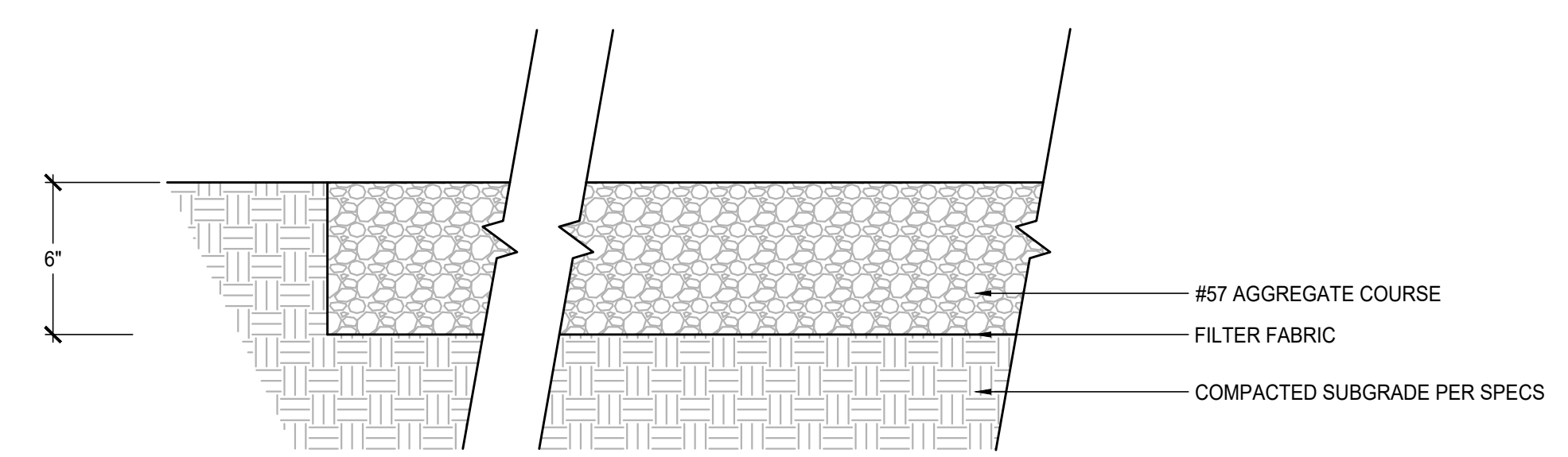
**SIGN PROVIDED AS A BASIS OF DESIGN. CONTRACTOR SHALL PROVIDE SHOP DRAWINGS FOR OWNER AND REPRESENTATIVE APPROVAL PRIOR TO ORDER OR INSTALLATION.**



**2 SITE SIGNAGE**  
SCALE: NTS



**3 LIGHT DUTY CONCRETE**  
SCALE: NTS



**4 GRAVEL DRIVEWAY**  
SCALE: NTS

N:\2017\17205 Pigeon Forge Access Drive\Drawings\CD\17205\_CD\_027.dwg, SHEETS: 17205\_CD\_027.dwg, 05/09/2018 10:58:43 AM